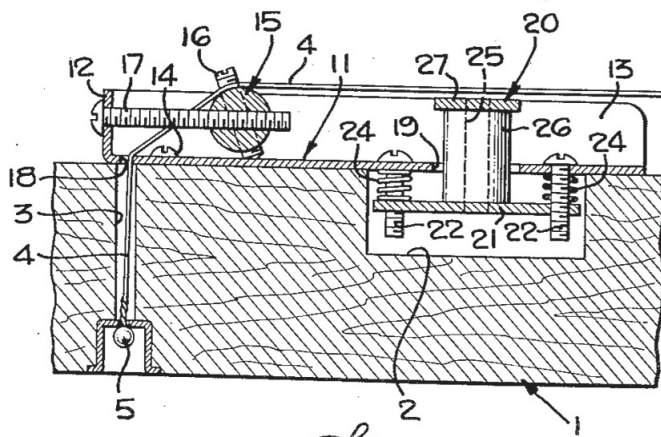
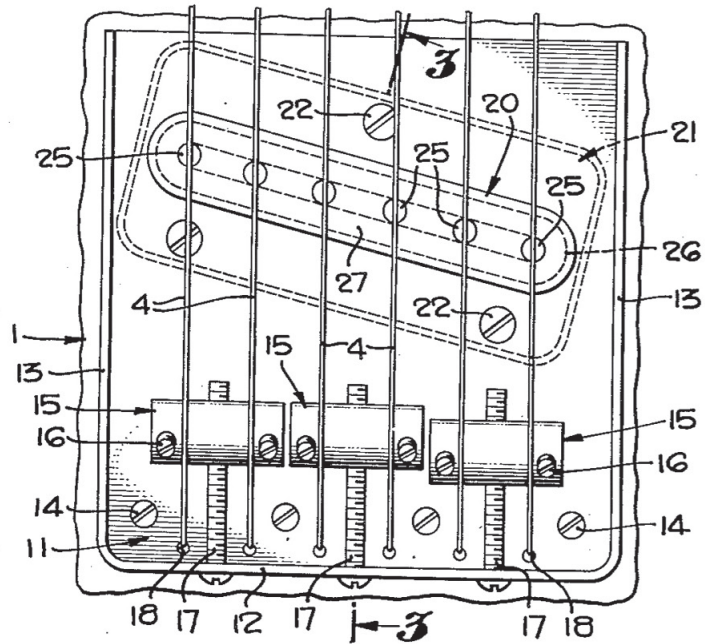
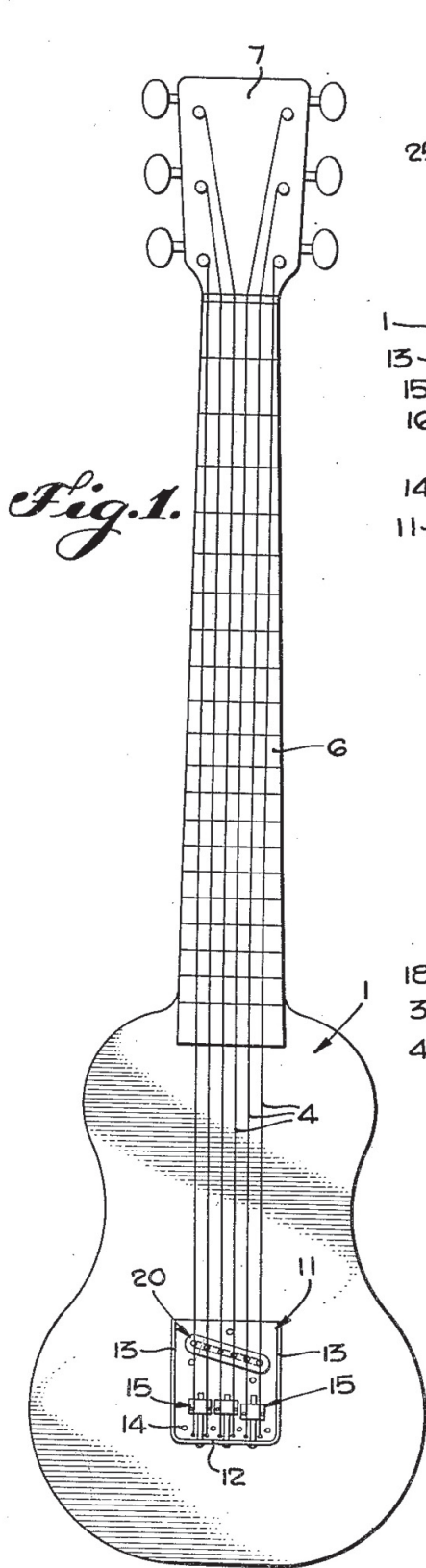


Oct. 30, 1951

C. L. FENDER  
COMBINATION BRIDGE AND PICKUP ASSEMBLY  
FOR STRING INSTRUMENTS  
Filed Jan. 13, 1950

2,573,254



CLARENCE L. FENDER,  
INVENTOR.

BY *Lyons & Lyons*  
ATTORNEYS