

Feb. 28, 1961

C. L. FENDER
FLOATING TREMOLO AND BRIDGE CONSTRUCTION
FOR LUTE-TYPE MUSICAL INSTRUMENTS

2,972,923

Filed Nov. 6, 1958

2 Sheets-Sheet 1

Fig. 1.

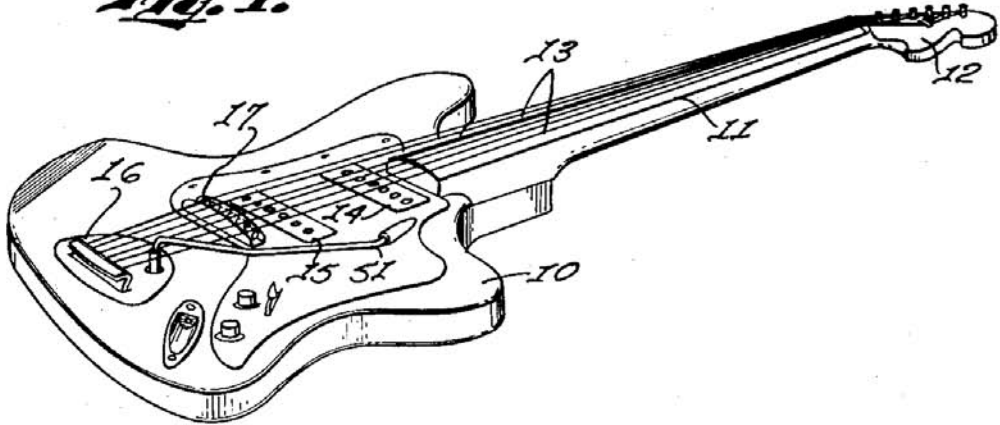


Fig. 2.

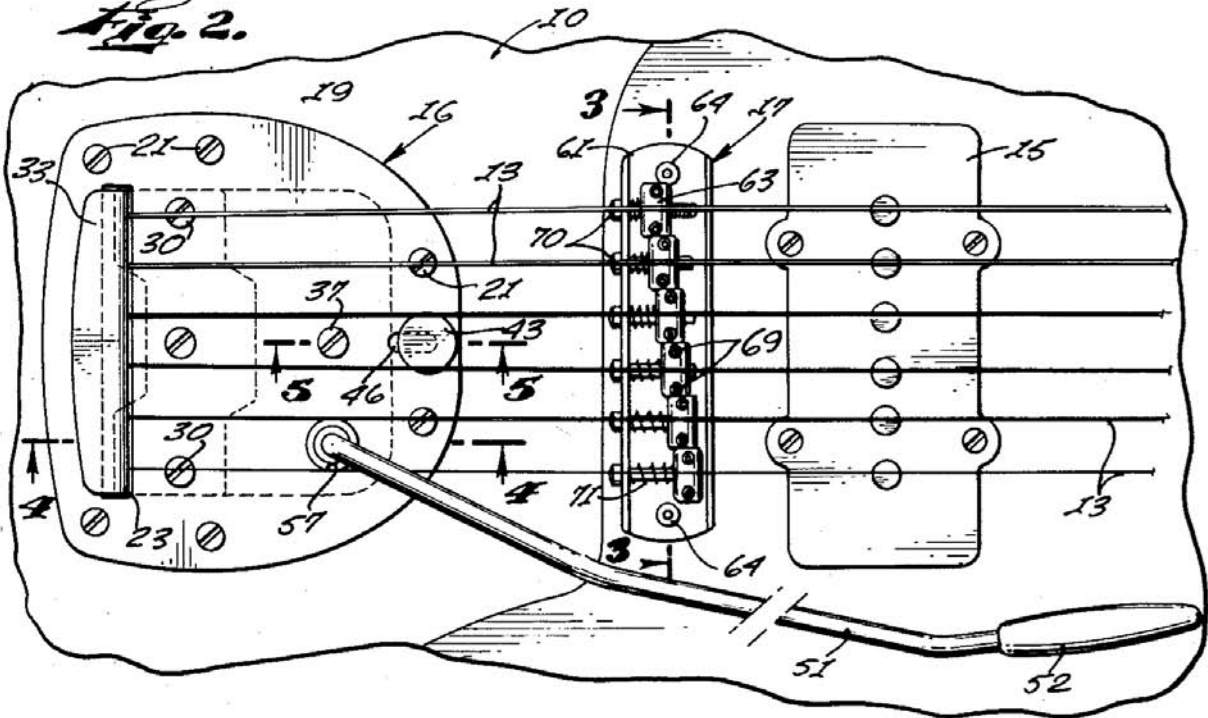
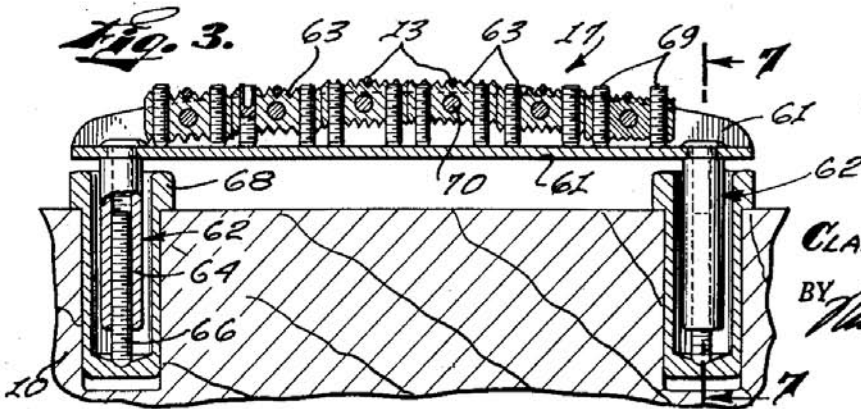


Fig. 3.



INVENTOR.
CLARENCE L. FENDER

BY *Richard L. Janssen*

ATTORNEY.

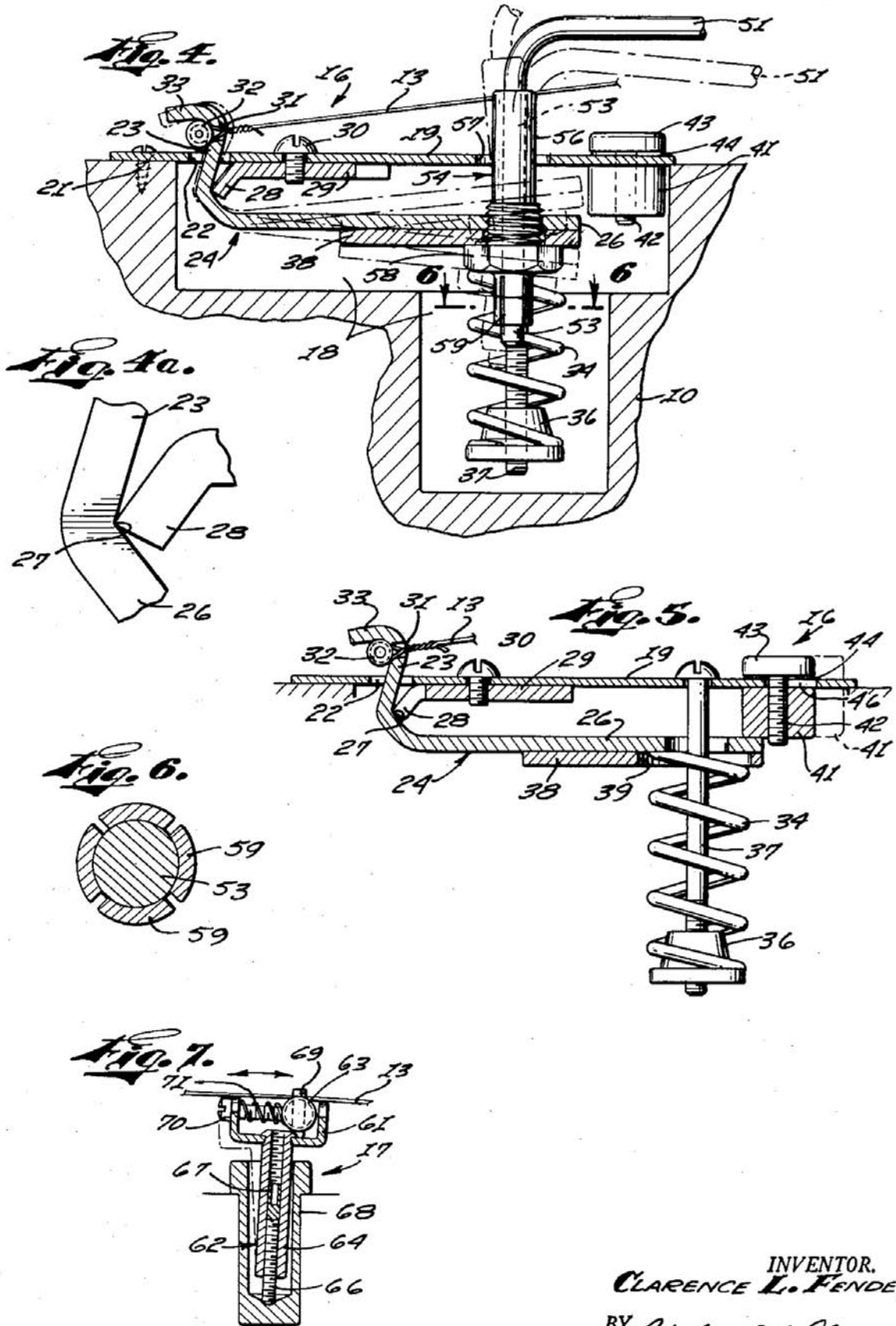
Feb. 28, 1961

C. L. FENDER
FLOATING TREMOLO AND BRIDGE CONSTRUCTION
FOR LUTE-TYPE MUSICAL INSTRUMENTS

2,972,923

Filed Nov. 6, 1958

2 Sheets-Sheet 2



INVENTOR,
CLARENCE L. FENDER
BY *Richard T. Jernigan*
ATTORNEY



For setup of the floating tremolo see websites see below:

Fender Jazzmaster and Jaguar - The Higher Evolution of Off-set Waist Guitars - Goodies:
http://www.webrocker.de/jaguar/v2/index.php?page=goodies_geek&show=tremloc

jaguar setup

<http://www.dlesho.com/page3.html>